



A Great Choice for the
'DIY Customer or Rental Machine'

CM 700

Portable, All-Fiber, Dense-Pack (retro-fit)
SideWall, Attic Blow Machine.

Material	Production Rate/hr
Cellulose	950 lbs/hr. (427 kg.)
Fiberglass	400 lbs/hr. (180 kg.)
Rockwool	600 lbs/hr. (270 kg.)

*Deluxe model recommended for contractors and spray application.

The **CM-700** machine is designed for the ultimate in portability and low power requirements. Compact size with easy hopper removal allows for easy transport and handling in any vehicle. Low power requirement (double input w/large blower, single input w/small blower) machine readily supplied job-site power.



FEATURES AND BENEFITS

Mechanical

- 7.5 cu./ft. (.225 cu./m.) hopper capacity.
- Quick-release 'hopper' for fast access to airlock with large handles for easy handling and transport.
- Quick release 'auger' for easy access to airlock seal replacement and service.
- Slide-gate and (Deluxe) variable speed blower control provides precise control of fiber.
- High quality powder coating provides a long lasting, scratch & corrosion resistant finish.
- Modular design with see-thru guard panel for quick troubleshooting and maintenance.
- Dual 'scalping' auger/shredders increase fiber conditioning while providing consistent feed.
- #40 nickel plated chain and hardened sprockets are rugged, and corrosion resistant.
- Large (140 cfm) or small (104 cfm) integrally mounted blower & filter protection.
- (Deluxe) 150 ft. dual function (3-position) remote cord w/cord hanger, offers control and convenience.

Electrical

- Recessed modular control panel w/plug & receptacles for easy removal and replacement (Features plug in bypass)
- Safety Features: kill switch and manual override controls promote increased operator safety and quick hazard response.
- Panel mounted manual thermal overload protection of motors and electrical components.
- L.E.D. 'lighted' plugs for quick electrical diagnostics.
- Auxiliary outlet for wireless remote.

CM 700 SPECIFICATIONS

Dimensions

Overall: 17"W x 24"L x 48"H
(43 cm. x 61 cm. x 122 cm.)
Base Unit: 17"W x 24"L x 17"H
(43 cm. x 61 cm. x 43 cm.)

Airlock

10" long x 8" diameter
(25.4 cm. x 20.5 cm.)
Volume=502 in.³ (1275 cm³)
2.5" (6.35 cm.) output tube.

Power Requirements

Double Input-large blower
Single Input-small blower
15 amp. 120 volt. 60 hz.
(Export: 10 amp. 230 volt, 50hz)
(CE mark conformity for Europe)

Options

- Standard or Deluxe Model
- CE mark Conformity f/export
- Wireless remote
- Hose & Hose Reels, etc.

Hopper Capacity

7.5 cu./ft.
(.225 m³)

[Quick-release Hopper]

Generator Size

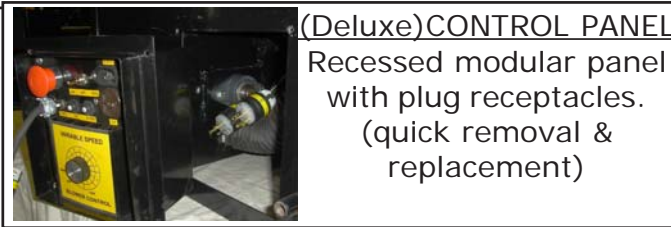
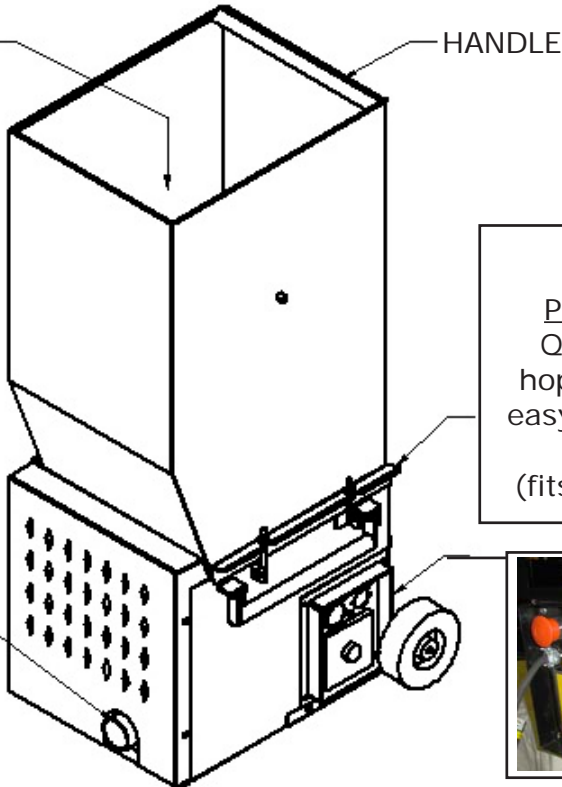
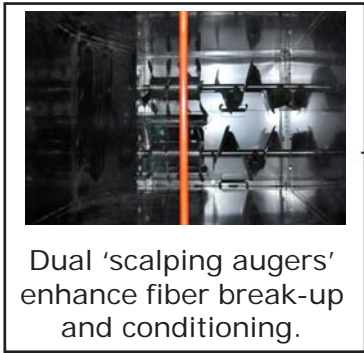
4,000 watt or larger

Standard: 200 lbs. (90 kg.) [no remote or blower control]	Blower: 8 amp. (104 cfm) (Overseas Export: 4 amp. 230 volt, 50hz)	5.7" dia.
Deluxe: 210 lbs. (95 kg.) [includes: Remote cord & blower control]	Blower: 13 amp. (140 cfm) (Overseas Export: 7 amp. 230 volt, 50hz)	8.4" dia.

BENEFITS

Warranty: One Year

The **700** series machine provides an economical, extremely portable and compact machine with low power requirements. The simple design and minimal moving parts provide a machine that is low maintenance and easy to repair.



COOL People Ofc: 419.232.4871